



FPS-500/600: Revolutionary Steel Coil Packaging Technology

Transform your steel coil packaging process with FPS-500. Our advanced system delivers superior protection while reducing labor and material costs.

Designed for flexibility, low maintenance, and high operating speed.

Key Benefits At A Glance



Superior Protection

Dustproof and waterproof packaging prevents corrosion and damage during transport.



Cost Reduction

Reduces labor costs by 40% and material waste by 30%.



Operational Efficiency

Increases packaging throughput by 60% over manual methods.



Advanced Technical Features

Automated Controls

PLC & HMI integration enables simple parameter entry. System automatically calculates optimal settings.

Precision Performance

Adjustable ring speed and overlapping. Automatic foil cutting with tension control.

Safety First

Integrated sensors, alarm lights, and protective fencing ensure operator safety.

Versatile Applications



Steel Coils

Primary application for sheet and strip steel producers.



Steel Wires

Perfect for wire manufacturers requiring secure packaging.



Pipe Coils

Ideal for protecting pipe products from environmental damage.



The Packaging Process



Loading

Convenient trolley system for safe crane or C-hook loading.



Parameter Input

Simple touchscreen input of coil dimensions.



Wrapping

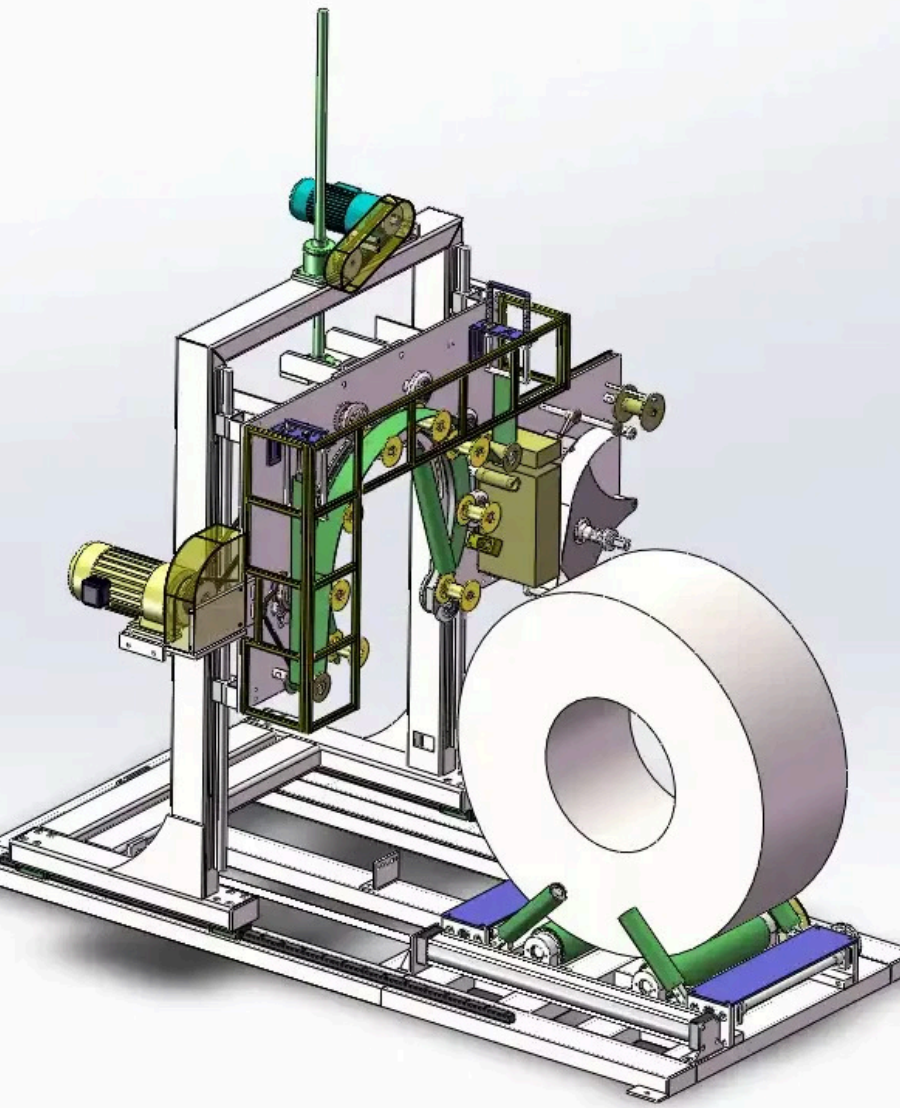
Eye-crossing wrapping pattern creates firm, protective packaging.



Completion

Automatic film cutting and sealing finalizes the package.





Technical Specifications

Voltage	380V 50Hz 3Phase 5Wire
Power	2.0kW
Coil ID	508/610mm
Coil OD	700-1400mm
Coil Width	200-500mm
Coil Weight	100-1000kg
Air Supply	5-7kgf/cm ²

Packaging Materials

PVC Film

- Excellent clarity
- Good tear resistance
- Cost-effective solution

LLDPE/PE Film

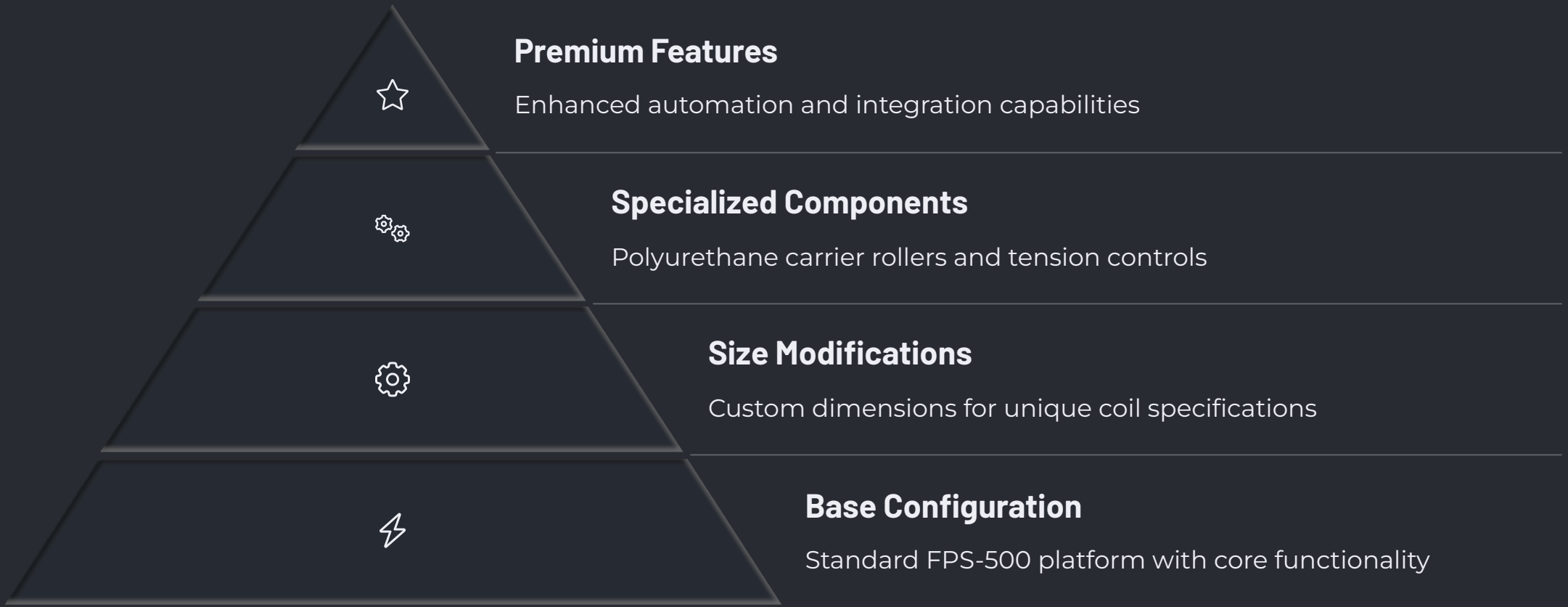
- Superior puncture resistance
- Excellent moisture barrier
- High stretchability

Paper Wrapping

- Eco-friendly option
- Good surface protection
- VCI options available



Customization Options



Quality Assurance Practices

Inspection

Rigorous testing of each machine component



Delivery

Careful packaging ensures safe transit to customer



Certification

Machines meet international quality standards



Testing

Performance verified under actual operating conditions



Installation & Support



Delivery

Worldwide shipping with careful handling



Installation

Expert technicians ensure proper setup



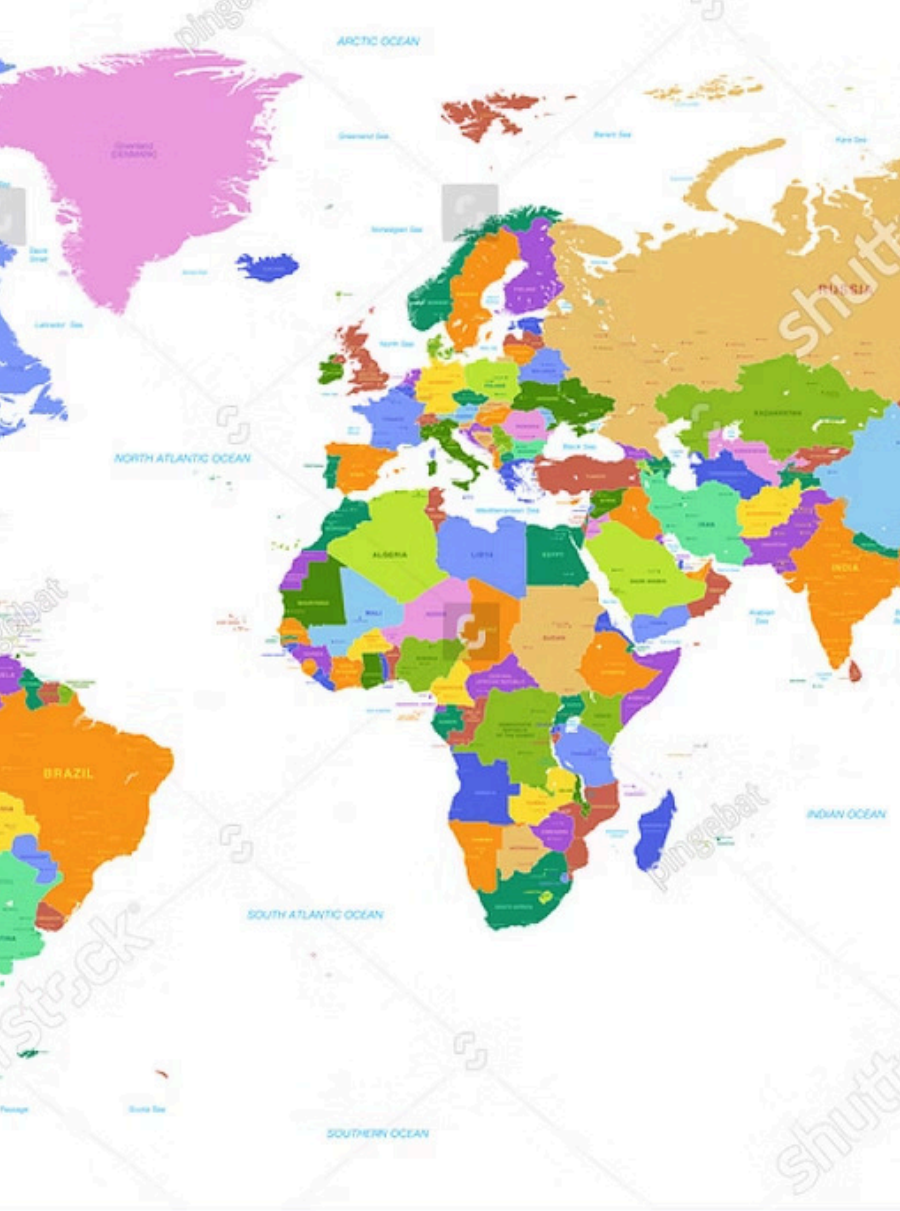
Training

Comprehensive operator instruction



Ongoing Support

24/7 technical assistance available



Global Implementation Success

100+

Installations

Machines operating worldwide

40%

Efficiency Gain

Average productivity improvement

25+

Countries

Global distribution network

Customer Success Stories



AceSteel Manufacturing

Reduced packaging time by 35% while improving protection quality.



Global Metals Distribution

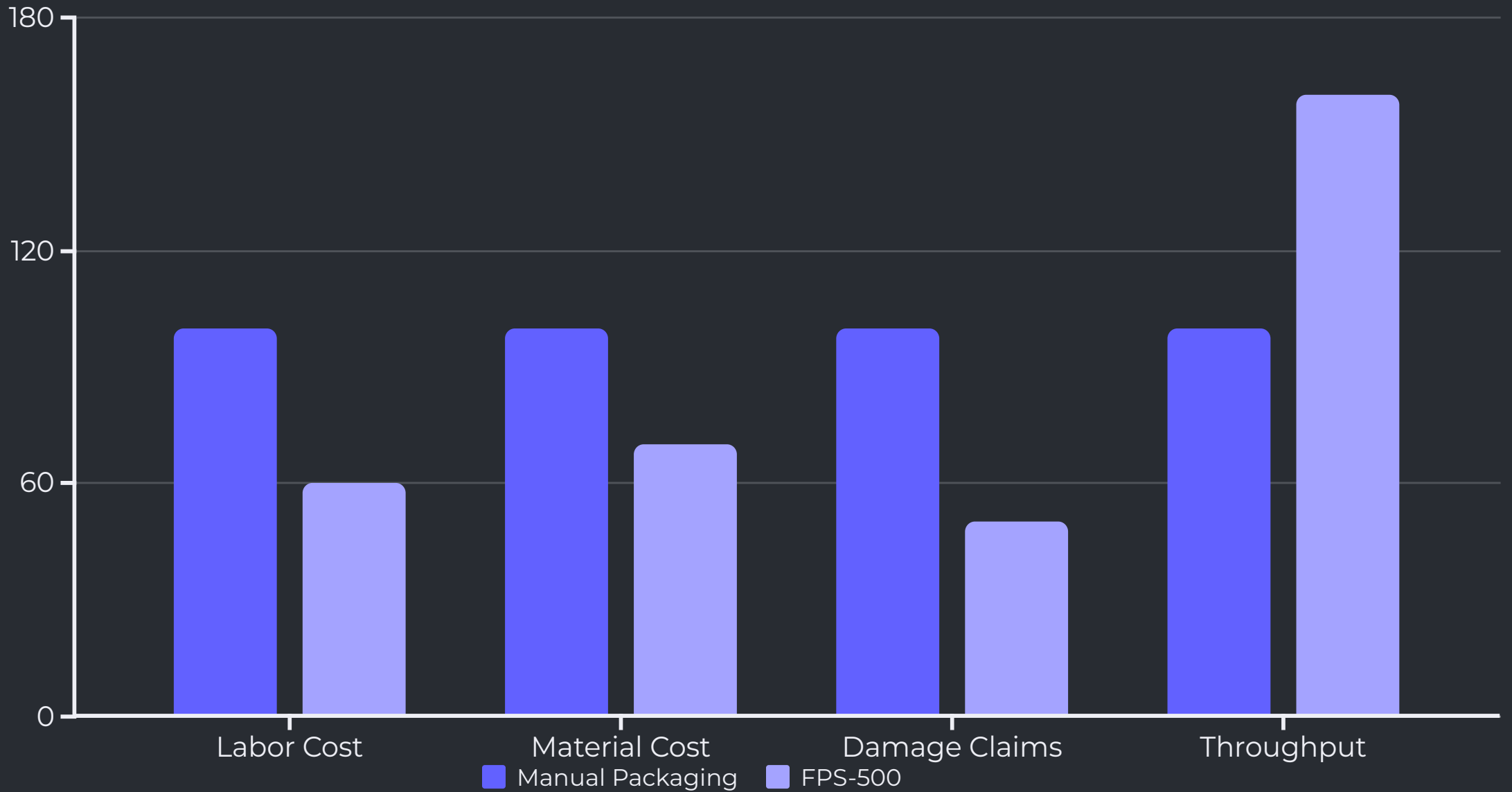
Decreased damage claims by 50% after implementing our system.



AutoComp Industries

Saved \$120,000 annually in labor and material costs.

Return On Investment Analysis





Get Started Today

Initial Consultation

Contact our team to discuss your specific needs and requirements.

Custom Proposal

Receive a tailored solution and detailed ROI analysis.

Implementation

Experience smooth delivery, installation, and training.

Ongoing Support

Enjoy continued technical assistance and maintenance services.

Get a Customized Quote Today

1

Where We Are

Office one: B1130, Building 5, No.2758 songjin road, zhangyan town,Jingshan district, Shanghai.

Factory : No.1428 North road shipu fengshou, qiandeng town, Kunshan city,Jiangsu Province China

2

Get expert consultation

Email: info@fhopepack.com

fhopepack@gmail.com

Mobile: 0086-13951501635

3

More Information

Website : <https://www.fhopepack.com>